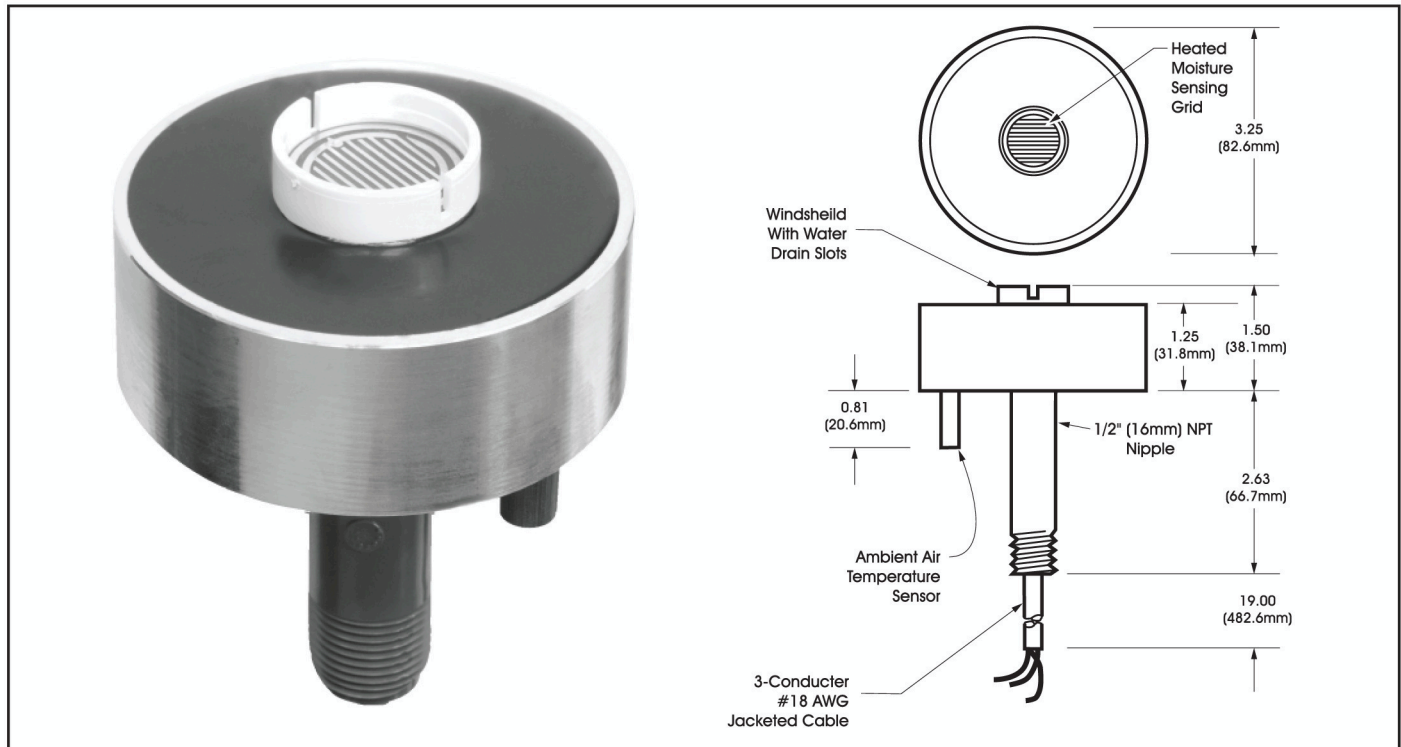


Aerial Snow Sensor

FEATURES & BENEFITS

- Minimum snow melting cost
- No supervision required
- Reliable snow sensing
- Senses both temperature and precipitation
- Application flexibility
- Simple installation
- Field proven in thousands of installations



DESCRIPTION

The Aerial Snow Sensor detects falling or blowing precipitation as snow at temperatures below 38°F (3.3°C). The sensor provides the industry's most versatile and cost effective automatic snow melting control when used with the proper control panel.

Reliability and sensitivity are key features of the Aerial Snow Sensor. The solid state design, combined with a rugged aluminum housing and

epoxy potting, ensure many years of trouble free service. Precision precipitation and temperature sensors assure snow detection accuracy.

Typical applications include controlling snow melting systems for sidewalks, doorways, stairs, loading docks, ramps for the physically challenged and parking garages. Easy installation is another key feature of the sensor. Low voltage

operation, up to 2,000' (609.6m) separation from the control panel, mast or roof mounting, and noncritical extension wiring are just a few of the features making this possible.

INSTALLATION

Choose an unobstructed, elevated location exposed to snowfall.

