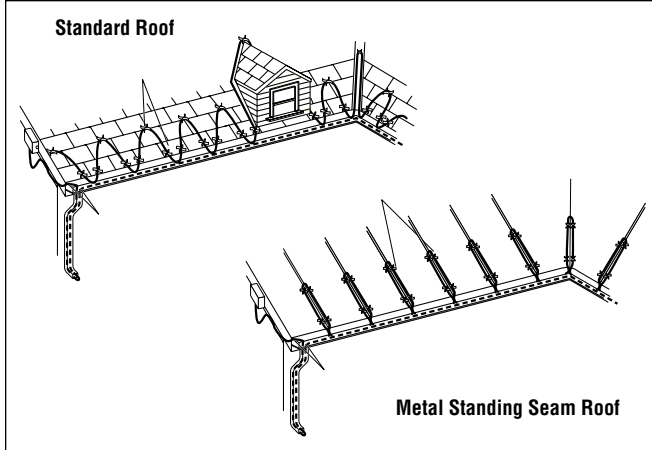


### Roof De-Icing/Snow Melting Cable Clips Installation Instructions



#### Description

The Roof Clips are for use with self-regulating and pre-assembled plug-in heating cables. Carefully follow these instructions. Do not use other hardware or techniques which may damage the heating cable and create an electrical hazard, risk of fire, or poor performance.

The roof clips are used to secure self-regulating and pre-assembled plug-in heating cables to shingle and metal seam roofs and gutters. For applications where nails and screws will be used to install clips, go to page 2. For applications where adhesive will be used to install clips, go to page 3.

#### Approvals



877Z De-icing and Snow Melting Equipment



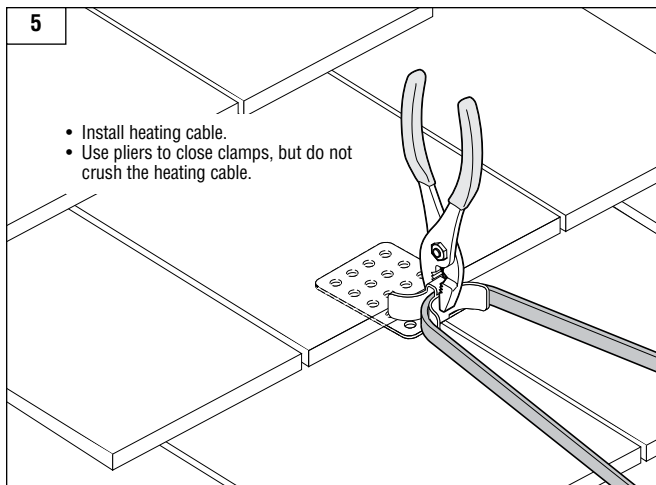
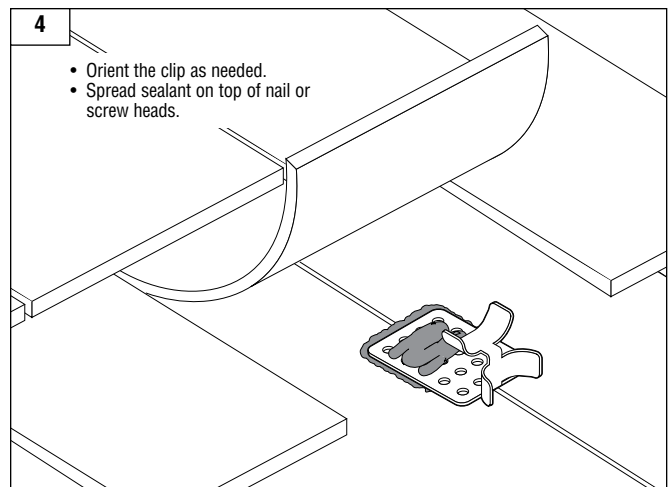
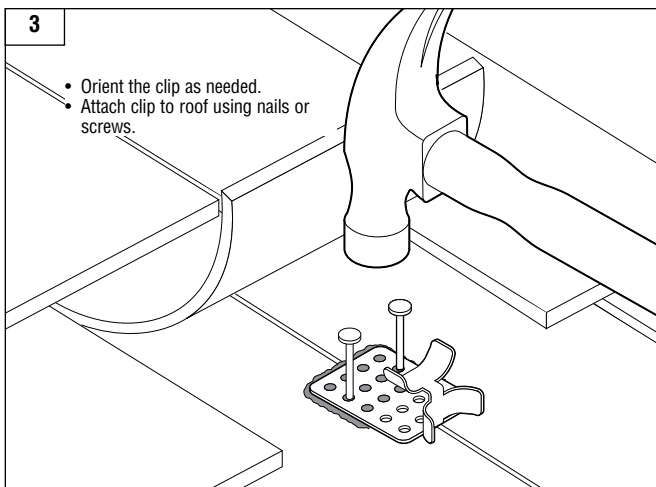
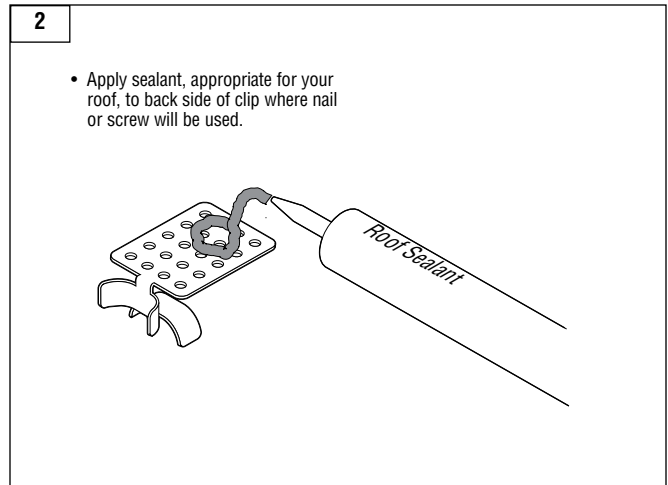
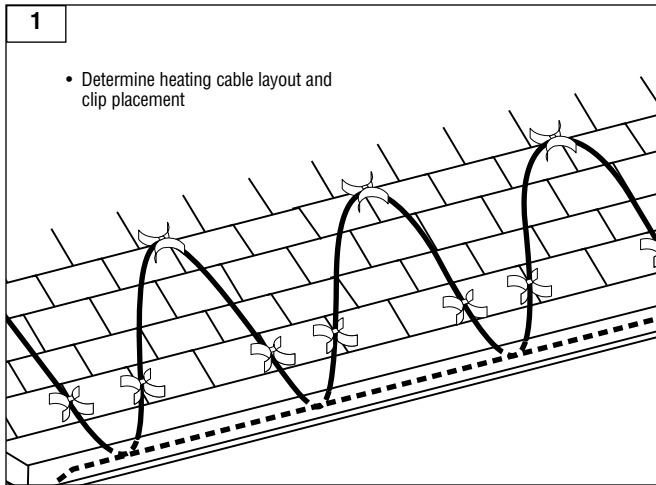
#### Tools Required

- Hammer
- Pliers
- Caulking Gun
- Recommended Adhesives for Metal Roofs
  - SpeedBonder® H3300 (Methacrylate Adhesive)
  - SpeedBonder H4800 (Methacrylate Adhesive)
  - Plexus® MA300 (Methacrylate Adhesive)
  - Plexus MA310 (Methacrylate Adhesive)
  - GE® Grey RTV 167 Adhesive (Neutral-cure Silicone Adhesive)

#### ⚠ WARNING:

- WinterGard™ Wet Roof Clips and Hanger Brackets must be installed properly to ensure proper operation and to prevent the risk of electrical hazard or fire. Follow all design, installation, assembly, and test instructions carefully.
- To minimize the danger of fire from sustained electrical arcing if the heating cable is damaged or improperly installed, and to comply with the requirements of Tyco Thermal Controls and national electrical codes, ground-fault equipment protection must be used on each heating cable branch circuit. Arcing may not be stopped by conventional circuit protection.
- Do not use WinterGard Wet Roof Clip and Hanger Bracket for installation on slate or tile roofs as damage may occur to roof material. Consult roofing manufacturer for components approved for use on specific roof material.
- Damaged heating cable can cause arcing or fire. Do not energize damaged heating cable. Repair or replace damaged heating cable prior to applying power.
- While using pliers to close clamps on heating cable, heating cable should not be crushed or altered structurally in any way.

## Installation Instructions



**Installation Instructions**

**1**

- Determine heating cable layout and clip placement

**2**

**Adhesive Selection:**

- See Tools Required section on page 1 for appropriate adhesive, recommended by roofing manufacturers.

**3**

- Prepare roof surface per adhesive manufacturer's specifications.
- Apply a liberal amount of adhesive to back side of H913/H914.

**4**

- Place clip on prepared surface. Press down to ensure adhesive flows through holes.
- Do not trim back adhesive beads because they help hold the clip down.

**5**

- Allow adhesive to cure per manufacturer's specifications.
- Install heating cable.

**8**

- Completed installation.